

T-TYPE CEILING DIFFUSER

FEATURES

- KYODO series T-4A are able to handle an unusually large amount of air for a given pressure drop and noise level.
- Maintains an unbroken horizontal flow pattern from maximum CMH down to minimum.
- Specially designed to supply air flow for all shapes of room. It is also used for return air purpose sometimes for integrity to suit architectural design.
- The diffuser is made of square or rectangular shape with various flow pattern ranging from 1 to 4 ways.
- It is simple and has pleasant appearance.
- Opposed blade volume control damper is incorporated in the ceiling diffuser for square or rectangular duct. SED II is used in conjunction with round adaptor for round duct.
- Simple adjustment of damper from room side by screwdriver.
- Centre core is removable for easy maintenance.
- Material is extruded aluminium.

FINISH

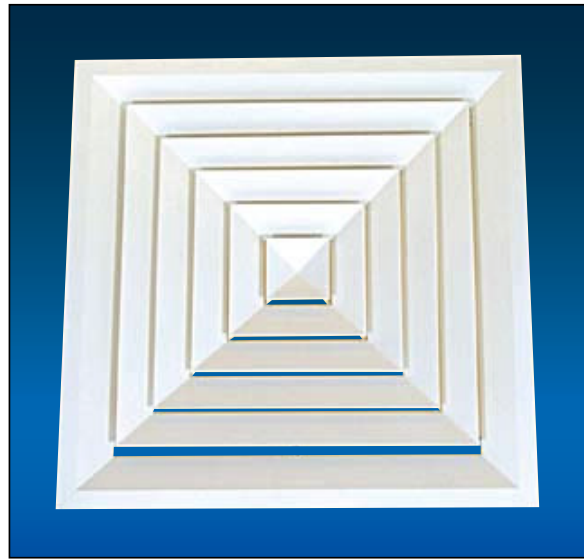
Standard Finish in natural anodizes and baked enamel paints are easily available too.

ACCESSORIES

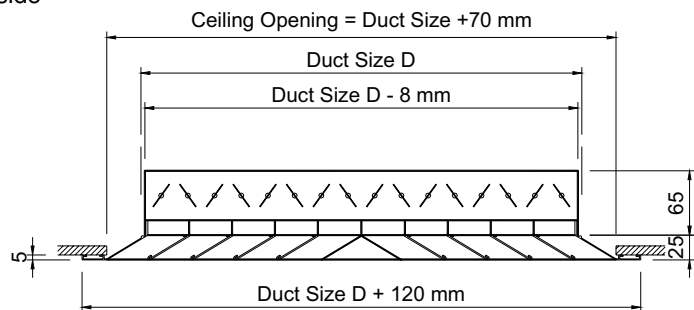
Air Volume Control Damper:

- Opposed blade volume control damper for square or rectangular neck.
- Radial Type (SED II) for round neck size from $\text{Ø}150$ to $\text{Ø}350$.
- Butterfly Type (B II) for round neck size from $\text{Ø}400$ to $\text{Ø}500$.

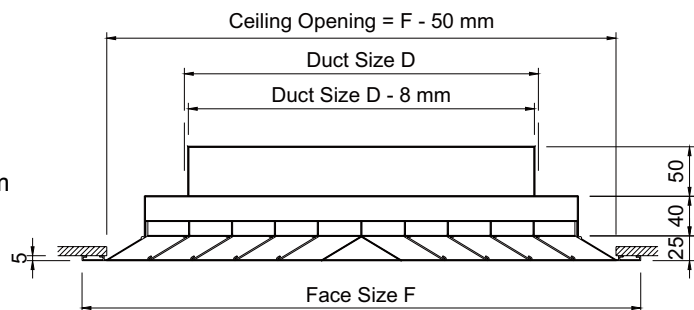
MODEL: T-4A



(Surface Mount) Square or Rectangular Neck



(Surface Mount) Round Neck



T-4A - 1



KYODO reserves the right to make changes without written notice. The actual product might differ from pictures shown. Drawings are not meant to show exact details of every aspects of the product.

TECHNICAL PERFORMANCE DATA

MODEL: T-4A

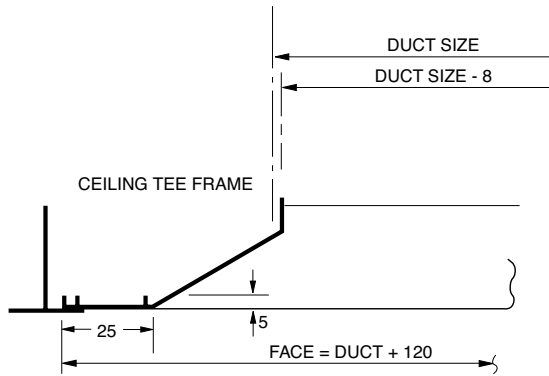
NECK SIZE (m ²)	CAP l/s	50	60	70	80	90	100	110	120	130	140	150	200	250	300	350	400	450	500	550	600	700	800	900	1000	
150 x 150	S. P.	14	20	28	36	45	56	68	81	95	110	126	222													
	NR	<20	<20	23	26	30	33	36	38	41	43	45	53													
	THROW	2.1	2.4	2.7	3	3	3.3	3.3	3.6	3.6	3.9	3.9	4.5													
175 x 175	S. P.		11	15	20	25	30	37	44	51	60	68	115	188												
	NR		<20	<20	20	23	25	28	31	33	35	37	45	52												
	THROW		2.1	2.7	3	3	3.3	3.3	3.6	3.6	3.9	3.9	4.5	5.1												
200 x 200	S. P.			9	12	15	18	22	26	30	35	40	71	110	159											
	NR			<20	<20	<20	20	22	24	26	28	30	39	45	51											
	THROW			2.4	2.7	3	3.3	3.3	3.6	3.6	3.9	3.9	4.5	5.1	5.7											
225 x 225	S. P.					9	11	14	16	19	22	25	44	69	99	135	176									
	NR					<20	<20	<20	20	22	24	25	33	39	45	49	53									
	THROW					2.7	3	3.3	3.6	3.6	3.9	3.9	4.5	5.1	5.7	6	6.4									
250 x 250	S. P.							9	11	12	15	17	29	45	65	89	116	146								
	NR							<20	<20	<20	<20	21	28	34	39	44	48	51								
	THROW							3	3	3.3	3.6	3.9	4.5	5.1	5.7	6	6.4	7								
275 x 275	S. P.									9	10	12	20	31	45	60	78	100	123							
	NR									<20	<20	<20	24	29	37	39	43	47	50							
	THROW									3	3.3	3.6	4.5	5.1	5.7	6	6.4	7	7.3							
300 x 300	S. P.											8	14	22	31	43	56	71	87	105	125					
	NR											<20	21	26	30	35	39	42	45	48	51					
	THROW											3.3	4.2	5.1	5.7	6	6.1	7	7.3	7.6	7.9					
325 x 325	S. P.												11	16	23	31	41	51	64	77	91	116				
	NR												<20	23	27	31	35	38	41	44	47	51				
	THROW												3.9	5.1	5.7	6	6.4	7	7.3	7.6	7.9	8.5				
350 x 350	S. P.												8	12	17	23	30	38	47	57	68	92	120			
	NR												<20	20	25	28	31	34	38	40	43	47	51			
	THROW												3.6	4.5	5.3	6	6.4	7	7.3	7.6	7.9	8.5	9.1			
375 x 375	S. P.												6	9	13	18	23	29	36	43	52	70	91	116		
	NR												<20	<20	22	26	29	31	34	37	39	44	48	51		
	THROW												3.6	4.2	5.1	6	6.4	7	7.3	7.6	7.9	8.5	9.1	9.7		
400 x 400	S. P.															10	14	18	23	28	33	40	54	71	89	110
	NR															<20	23	26	29	31	34	36	41	45	48	51
	THROW															4.8	5.7	6.4	7	7.3	7.6	7.9	8.5	9.1	9.7	10.3
450 x 450	S. P.															6	9	11	14	18	21	25	34	44	56	69
	NR															<20	<20	22	25	27	29	31	35	39	42	45
	THROW															4.2	5.1	5.7	6.7	7.3	7.6	7.9	8.5	9.1	9.7	10.3
500 x 500	S. P.																		10	11	14	17	22	29	37	45
	NR																		21	23	25	27	31	34	37	40
	THROW																		6	6.7	7.3	7.9	8.5	9.1	9.7	10.3

- Result of performance is tested under NATA
- SP – Static Pressure drops are in Pascals
- NR – Noise rating in dB re 10⁻¹² watts. Room correction of -6dB
- CAP – Capacity of flow in litre per second
- Throw – Throw at 0.5 m/s Terminal Velocity in metres (as per ADC 1062 R3)

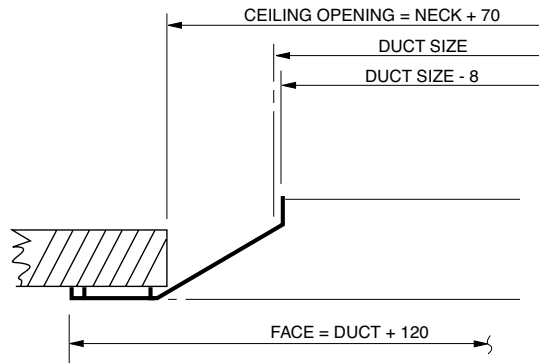
* Performance data for down throw will be furnished upon request

MOUNTING DETAILS:

A) LAY-IN TYPE MOUNTING



B) CONCEALED MOUNTING



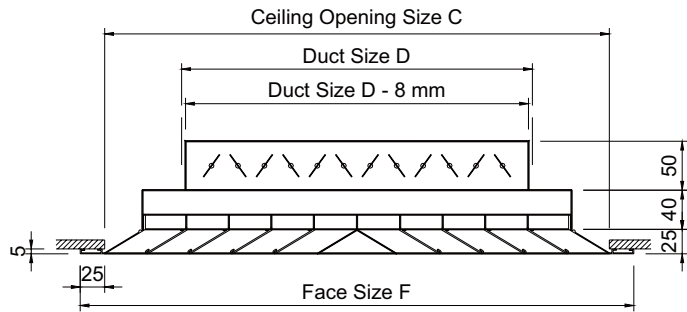
DIMENSIONAL DETAILS

NECK SIZE		FACE SIZE F	CEILING OPENING C
DUCT SIZE D	ACTUAL N		
150 x 150	142 x 142	270 x 270	220 x 220
200 x 200	192 x 192	320 x 320	270 x 270
250 x 250	242 x 242	370 x 370	320 x 320
300 x 300	292 x 292	420 x 420	370 x 370
350 x 350	342 x 342	470 x 470	420 x 420
400 x 400	392 x 392	520 x 520	470 x 470
450 x 450	442 x 442	570 x 570	520 x 520
480 x 480	472 x 472	600 x 600	550 x 550

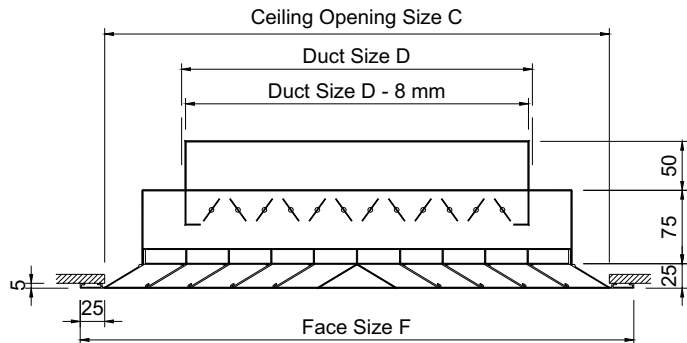
Round adaptor with rotating fan blade volume control damper. Available for neck size:

- dia. 150mm
- dia. 200mm
- dia. 250mm
- dia. 300mm
- dia. 350mm

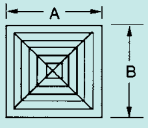
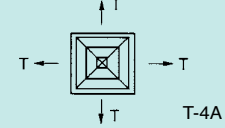

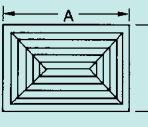
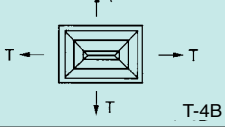
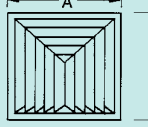
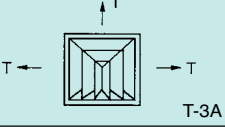

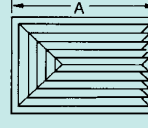
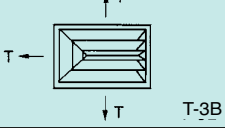
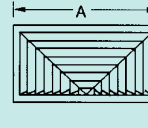
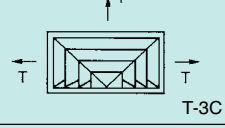
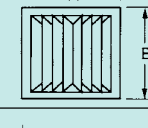
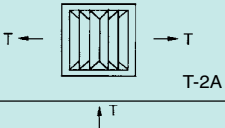

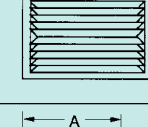
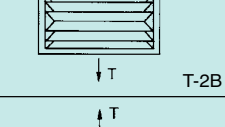
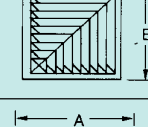
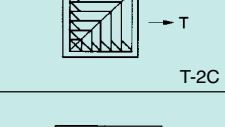

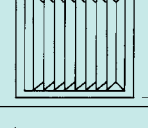
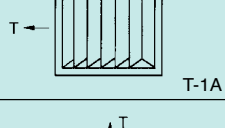

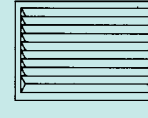
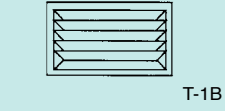
(Surface Mount) Square or Rectangular Neck



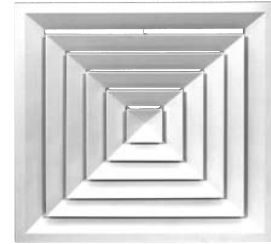
(Surface Mount) Round Neck



(ALL MODELS) • OPTIONAL PATTERNS

		 4-Way
		
		 3-Way
		
		
		 2-Way
		
		 2-Way Corner
		 1-Way
		

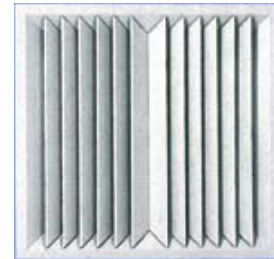
T-4A



T-3A



T-2A



T-1A



Note: Patterns are shown in plan view (looking down into inlet)

T-4A - 4



KYODO reserves the right to make changes without written notice. The actual product might differ from pictures shown. Drawings are not meant to show exact details of every aspects of the product.