

# VOLUME CONTROL DAMPER

**MODEL: VCD  
RVCD  
MVCD**

## FEATURES

- Blades and frame are constructed of high quality corrosion resistant galvanised steel.
- Opposed blade action is standard.
- Damper height exceeding 300mm supplied in multiple blades.
- Length of Damper blade exceeding 1000mm is supplied with intermediate mullion.
- Control operation is done manually by using worm-gear as standard.
- Unless specified, otherwise damper comes without matching flange.
- Standard depth of damper is 210mm.
- SUS is available on request.

## ACCESSORIES

Additional angle flanges x 2 with matching holes to damper to be fixed to the duct and connected to damper.

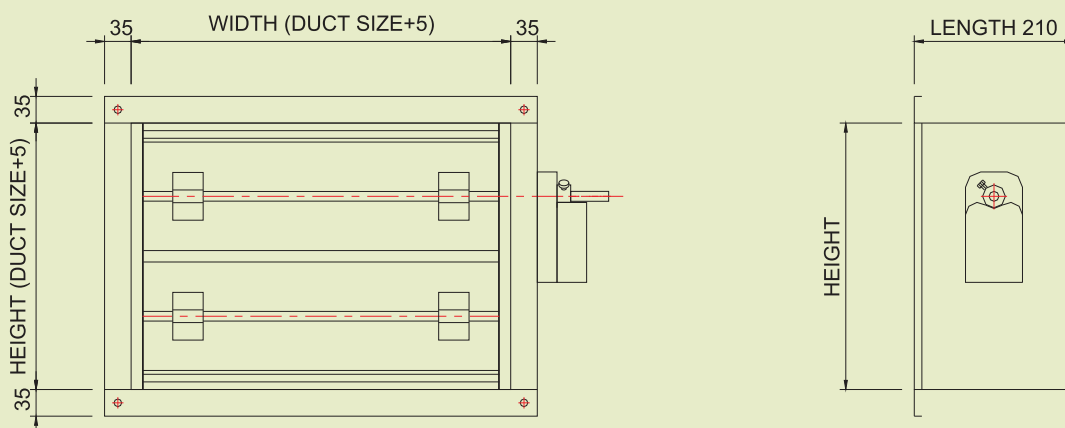
## ORDER KEY

VCD, RVCD, MVCD

## MODEL: MVCD

### Motorized Duct Volume Control Damper

(Please contact us for details of motor specifications)



## VCD



## RVCD



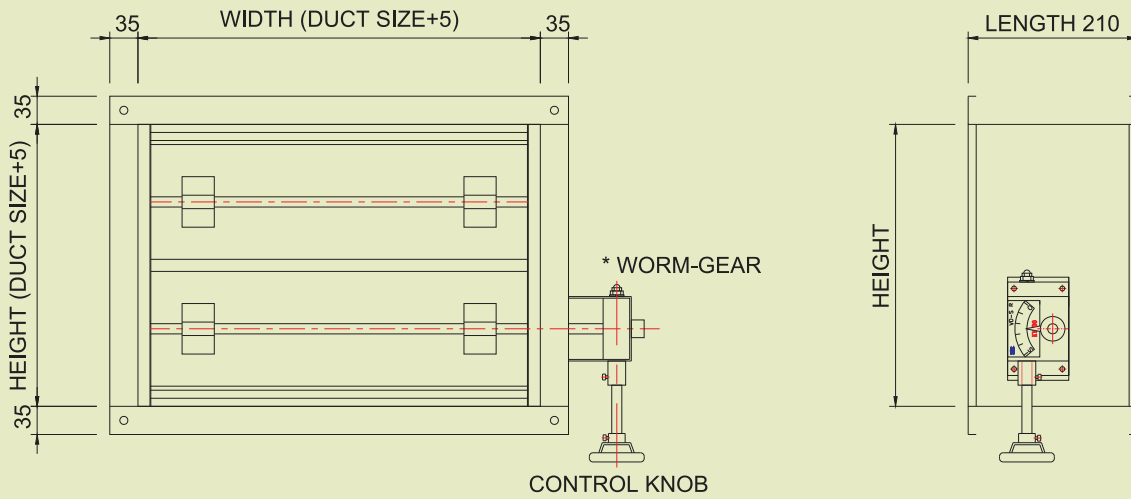
## MVCD



# VOLUME CONTROL DAMPER

## MODEL: VCD

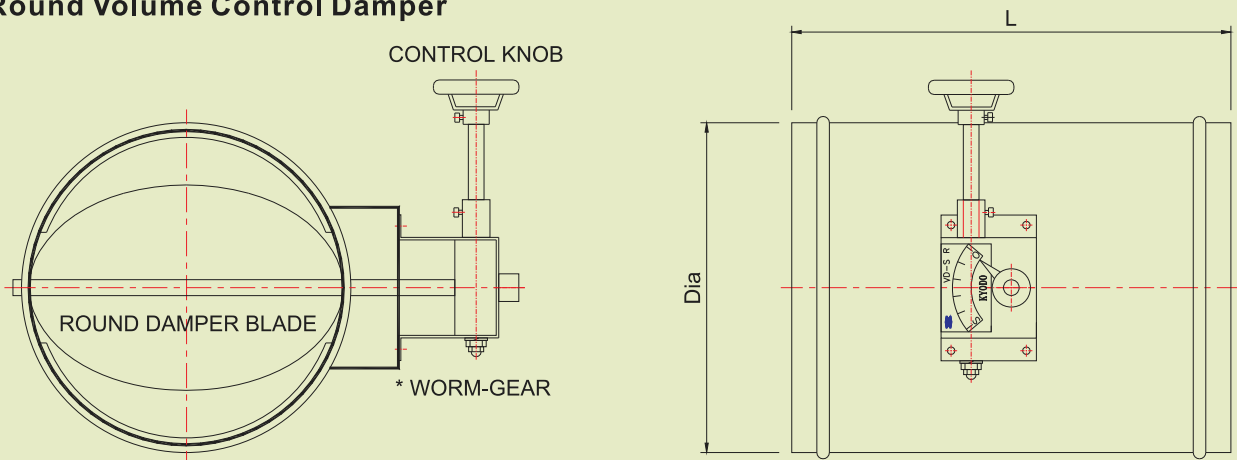
### Manual Duct Volume Control Damper



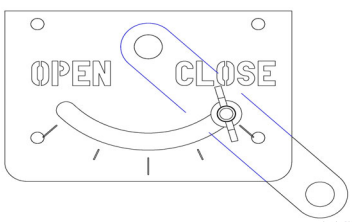
\* Unique Worm-Gear design  
(Registered Singapore Patent No. 167/91)

## MODEL: RVCD

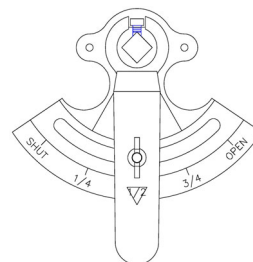
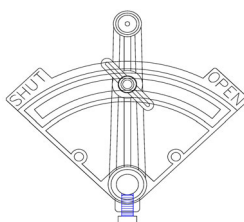
### Round Volume Control Damper



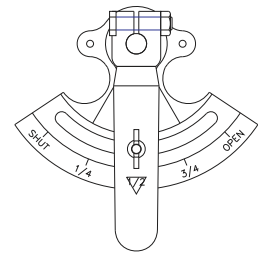
\* Unique Worm-Gear design  
(Registered Singapore Patent No. 167/91)



QUADRANT  
(Standard)



QUADRANT  
(Optional)



# VOLUME CONTROL DAMPER

## TECHNICAL PERFORMANCE CURVE

MODEL: VCD

